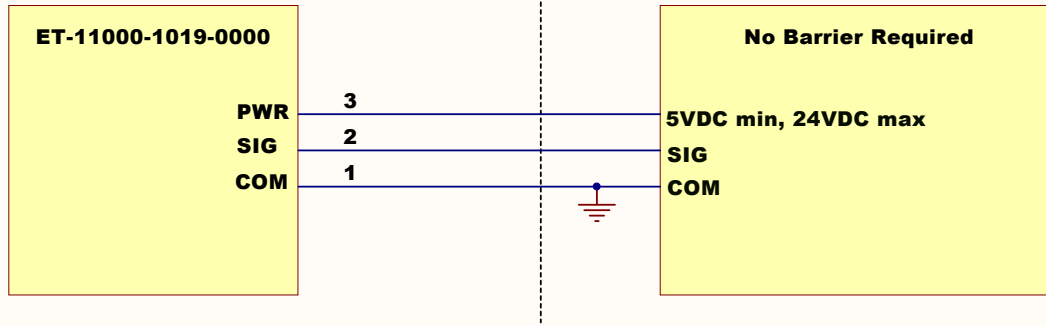


HAZARDOUS (Classified) LOCATION

Non HAZARDOUS (Unclassified) LOCATION

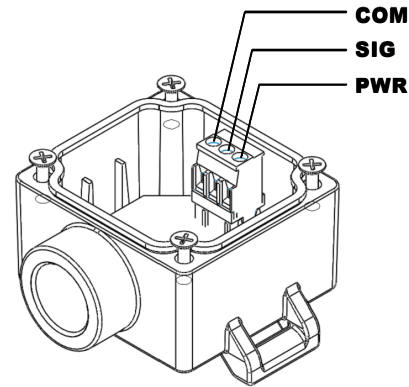
CLASS I, ZONE 2, GROUP IIC
CLASS I, DIVISION 2, GROUPS A, B, C, D T4



1. Installation in accordance with Figure 1 must comply with national installation requirements (for example to Canadian Electrical Code Section 18 or to United States National Electrical Code Article 501).

2. This device must not be connected to any associated apparatus which uses or generates more than 250Vrms

Figure 1.



Title Control Drawing		Extreme Telematics Corp. 1144, 29th Ave N.E.		
Size: Letter	Number: ET-11000-1019-2006	Revision: 1	Suite 111	
Date: 4/4/2014	Time: 10:58:53 AM	Sheet 1 of 1	Calgary, Alberta T2E 7P1	
File: ET-11000-1019-2006.sch			Canada	