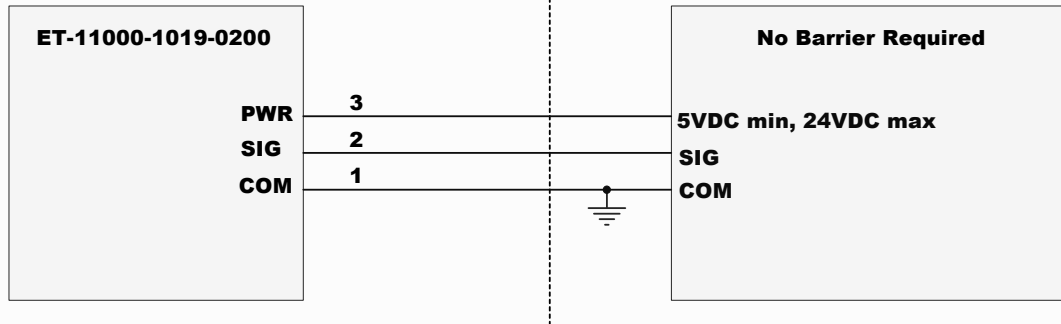


**HAZARDOUS (Classified) LOCATION**  
**CE Ex II 3G Ex nA IIC T4**

**Non HAZARDOUS (Unclassified) LOCATION**

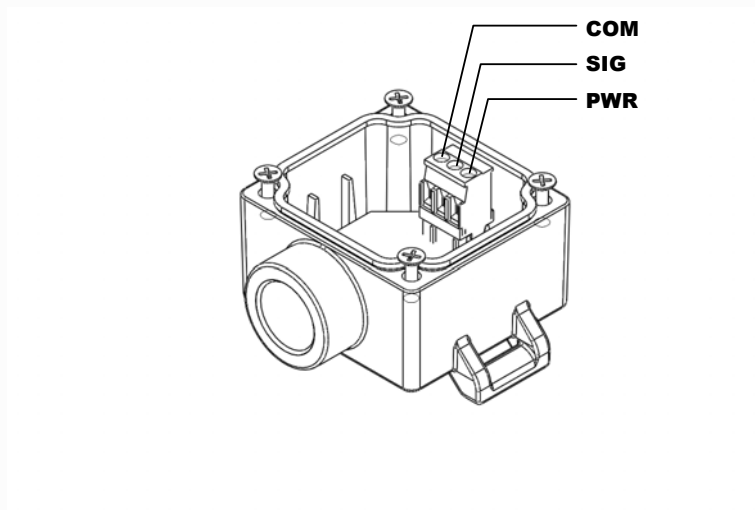


**1. Installation in accordance with Figure 1 must comply with national installation requirements.**

**2. This device must not be connected to any associated apparatus which uses or generates more than 250Vrms**

**3. Temperature Range:  $-40^{\circ} \leq Ta \leq +70^{\circ}$  Celcius**

**Figure 1.**



**! WARNING: See manual before use.**

**! WARNING: Do not remove, replace, or disconnect equipment while in live area unless it is known to be free of ignitable concentrations of flammable substances.**

**! WARNING: Surface of equipment may be hot.**

Title <b>Control Drawing</b>		Extreme Telematics Corp. 630, 2710 17th Ave. S.E.	
Size: Letter	Number: ET-11000-1019-2206	Revision: 3	Calgary, Alberta Canada
Date: 30/10/2015	Time: 11:52:49 AM	Sheet 1 of 1	TZA 0P6
File: ET-11000-1019-2206.sch			