

HAZARDOUS (Classified) LOCATION
 Class I, Zone 2, Group IIC T4
 Class I, Division 2, Groups A, B, C, D T4

Non HAZARDOUS
 (Unclassified) LOCATION

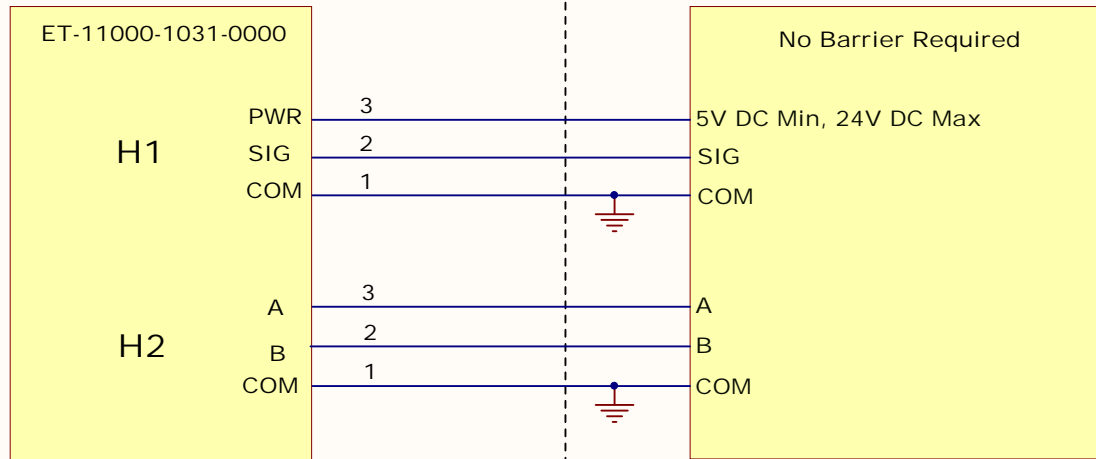
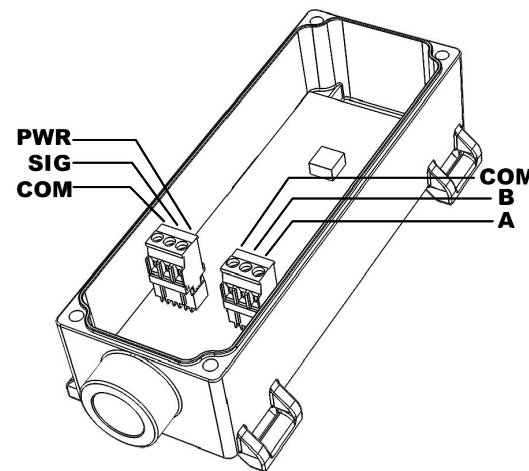



Figure 1.

1. Installation in accordance with Figure 1 must comply with national installation requirements. (For example to Canadian Electrical Code Section 18 or to United States National Electrical Code Article 501)



Title Control Drawing			Extreme Telematics Corp. 630, 2710 17th Ave S.E. Calgary, Alberta Canada T2A 0P6	
Size: Letter	Number: ET-11000-1031-2006	Revision: 1		
Date: 6/6/2016	Time: 1:49:10 PM	Sheet 1 of 1		
File: ET-11000-1031-2006.sch				