

HAZARDOUS (Classified) LOCATION

Class I Division 1 Groups C, D T4
 Class I Zone 0, AEx ia [ia] IIB T4 Ga
 Ex ia [ia] IIB T4 Ga
 Um = 28V

INTRINSICALLY SAFE APPARATUS

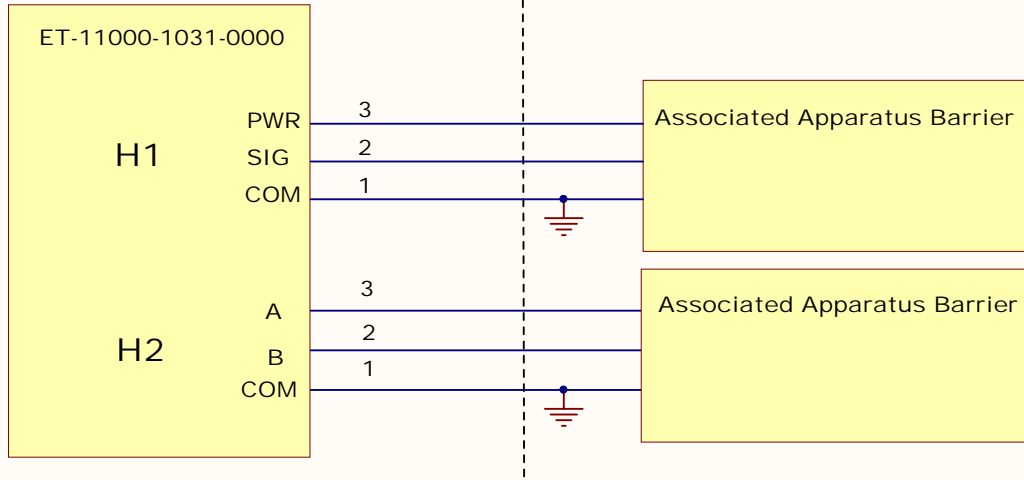


Figure 1.

**Non HAZARDOUS
 (Unclassified) LOCATION**

1. Installation in accordance with Figure 1 must comply with national/local intrinsic safety installation requirements. (For example to Canadian Electrical Section F or to United States National Electrical Code)

2. For installation in accordance with Figure 1, use DC channel barriers on the H1 Port and AC channel barriers on the H2 port.

3. This device must be connected with a dual triad Cable certified to CSA C22.2 #131 and #174.

4. Choose peripheral devices and associated apparatuses such that the following conditions are met:

$$U_o \leq U_i$$

$$I_o \leq I_i$$

$$P_o \leq P_i$$

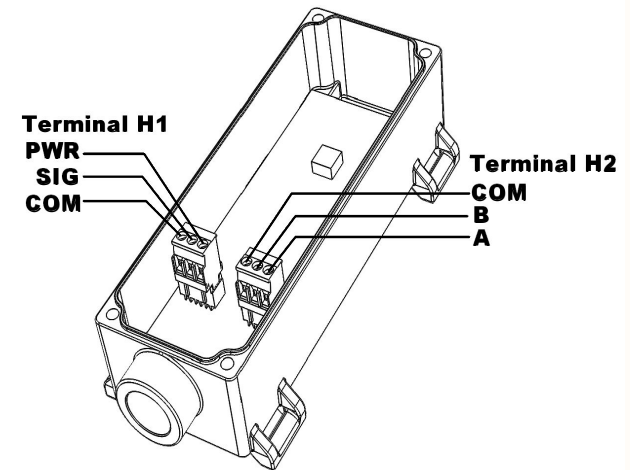
$$C_o \geq C_i + C_{cable}$$

$$L_o \geq L_i + L_{cable}$$

Entity Parameters:

Model ET-11000-1031-0000

Class I Division 1, Groups C, D T4 Class I Zone 0, AEx ia [ia] IIB T4 Ga Ex ia [ia] IIB T4 Ga	
H1 - Terminal	H2 Terminal
U _i , V _{max} = 28V	U _i , V _{max} = 9V
I _i , I _{max} = 206mA	I _i , I _{max} = 216mA
P _i = 800mW	P _i = 450mW
C _i = 0uF	C _i = 2.5uF
L _i = 0uH	L _i = 0uH



Title Control Drawing		Extreme Telematics Corp. 630, 2710 17th Ave S.E. Calgary, Alberta Canada T2A 0P6	
Size: Letter	Number: ET-11000-1031-2001	Revision: 1	
Date: 6/2/2016	Time: 3:00:21 PM	Sheet 1 of 2	
File: ET-11000-1031-2001_page1.sch			



HAZARDOUS (Classified) LOCATION

Class I Division 1 Groups C, D T4
 Class I Zone 0, AEx ia [ia] IIB T4 Ga
 Ex ia [ia] IIB T4 Ga
 Um = 28V

INTRINSICALLY SAFE APPARATUS

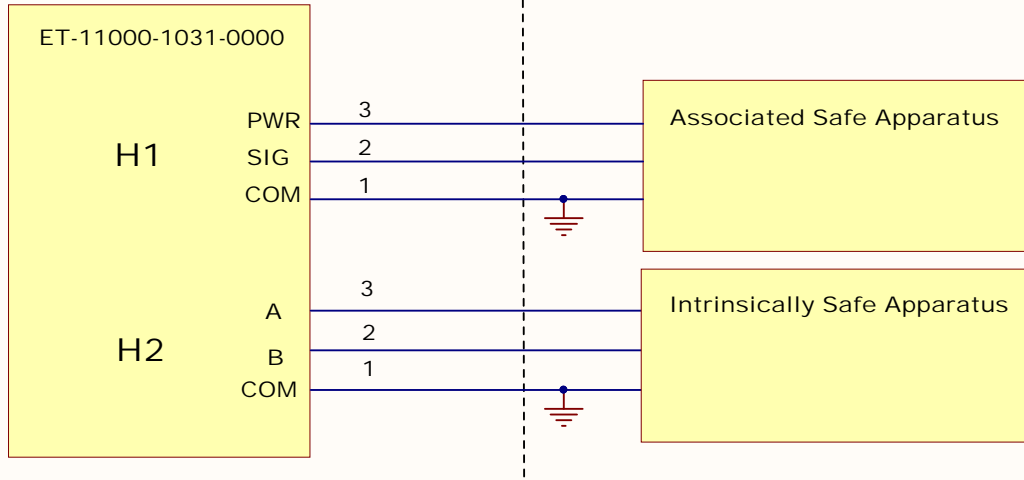


Figure 2.

Entity Parameters:

Model ET-11000-1031-0000

Class I Division 1, Groups C, D T4 Class I Zone 0, AEx ia [ia] IIB T4 Ga Ex ia [ia] IIB T4 Ga	
H1 - Terminal	H2 Terminal
Ui, Vmax = 28V	Uo, Voc = 7.2V
Ii, Imax = 206mA	Io, Isc = 66.12mA
Pi = 800mW	Po = 119mW
Ci = 0uF	Co, Ca = 3uF
Li = 0uH	Lo, La = 125uH

HAZARDOUS (Classified) LOCATION

Class I Division 1 Group C, D
 Class I Zone 0 Group IIB

1. Installation in accordance with Figure 2 must comply with national/local intrinsic safety installation requirements. (For example to Canadian Electrical Section F or to United States National Electrical Code)

2. This device must be connected with a dual triad Cable certified to CSA C22.2 #131 and #174.

3. Choose peripheral devices and associated apparatuses such that the following conditions are met:

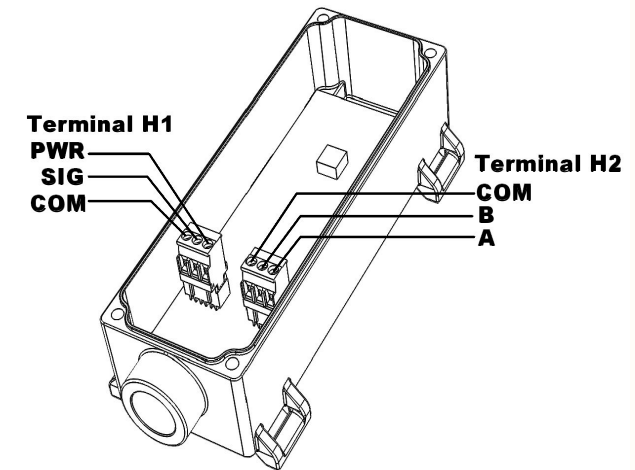
$$U_o \leq U_i$$

$$I_o \leq I_i$$

$$P_o \leq P_i$$

$$C_o \geq C_i + C_{cable}$$

$$L_o \geq L_i + L_{cable}$$



Title Control Drawing			Extreme Telematics Corp. 630, 2710 17th Ave S.E. Calgary, Alberta Canada T2A 0P6	
Size: Letter	Number: ET-11000-1031-2001	Revision: 1		
Date: 6/2/2016	Time: 3:00:21 PM	Sheet 2 of 2		
File: ET-11000-1031-2001_page2.sch				