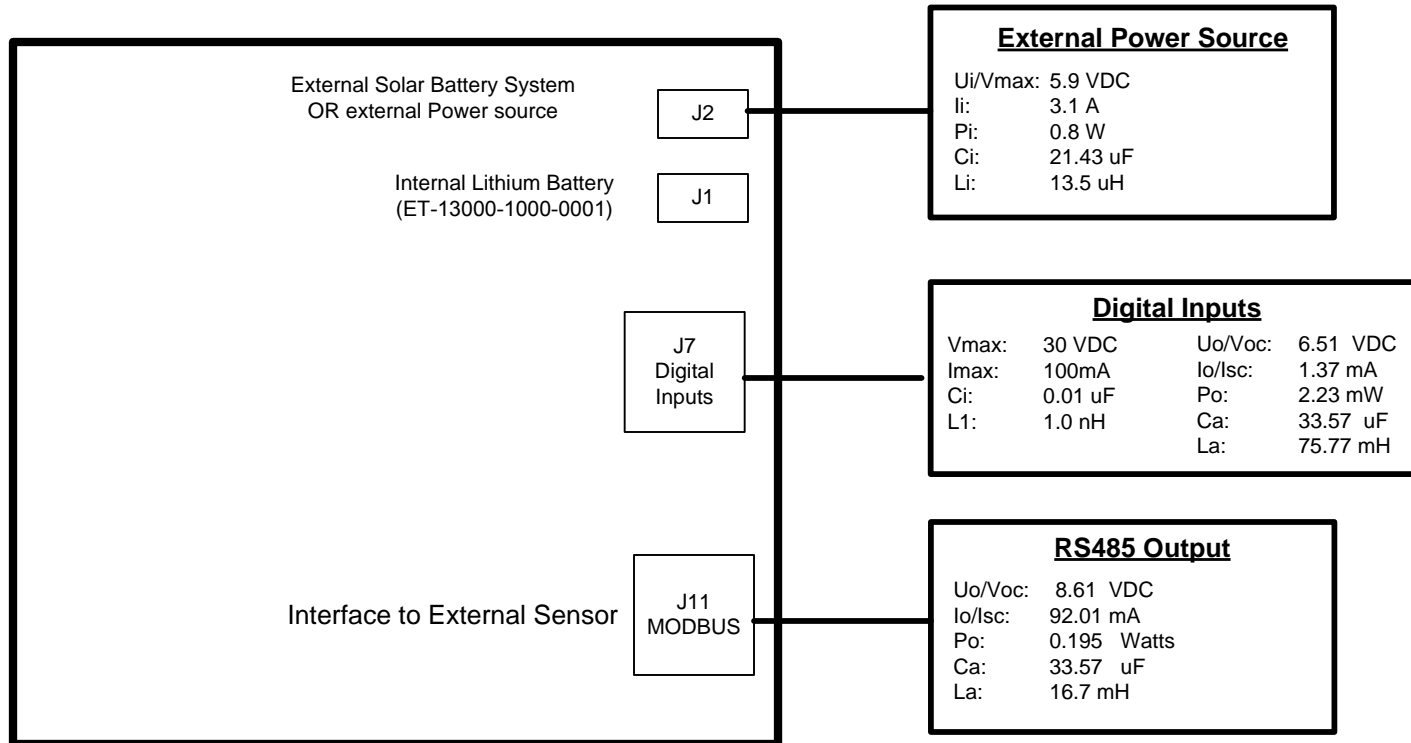


Iris Plunger Sensor Node

Model: ET-13000-0000-0101



WARNING: Connect only the internal battery pack OR the external solar system/external power source

Extreme Telematics Corp.

Part Name	Control Drawing, Iris Plunger Sensor Node	Date	05/05/2016
Part Number	ET-13000-2000-0012	Rev	1

Class I, Division 1, Groups C and D

Ambient Temperature Limit: -40C to +60C
Temperature Code: T3

- **WARNING:** Substitution of components may impair intrinsic safety.
- Choose peripheral devices and associated apparatuses such that the following conditions are met:
 - Ui/Vmax ≥ Uo/Voc
 - Ii/Imax ≥ Io/Isc
 - Pi ≥ Po
 - Co/Ca ≥ Ci + Ccable
 - Lo/La ≥ Li + Lcable
- **When replacing the internal battery, only use lithium battery model number ET-13000-1000-0001**
- **See Instruction manual for installation requirements**
- **Install the internal battery pack only when external power is not used**