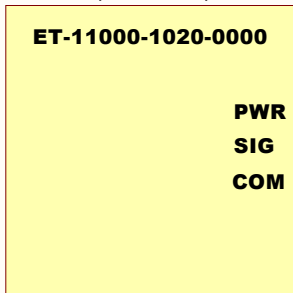


HAZARDOUS (Classified) LOCATION

**Class I, Division 1, Groups C, D T4
Ex d IIB T4**

Class I, Zone 1, AEx d IIB T4



**Non HAZARDOUS
(Unclassified) LOCATION**

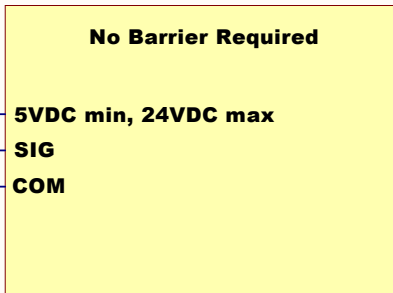
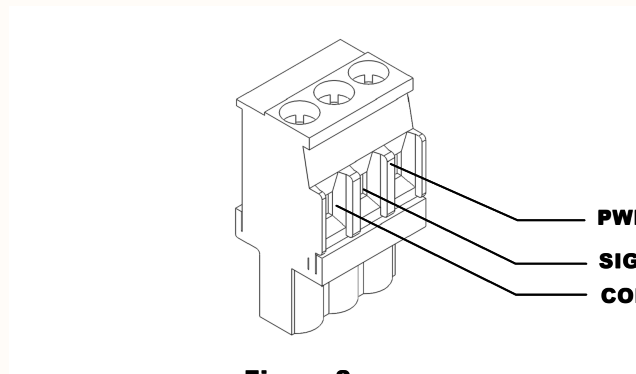


Figure 1.

NOTES:

- 1. WARNING: DO NOT OPEN WHILE ENERGIZED**
- 2. WARNING: THIS DEVICE MUST NOT BE CONNECTED TO ANY ASSOCIATED APPARATUS THAT USES OR GENERATES MORE THAN 250V RMS OR 250V DC WITH RESPECT TO EARTH.**
- 3. The installation must comply with national installation requirements. (for example to Canadian Electrical Code Section 18 or to United States National Electrical Code Article 501.**
- 4. Figure 2 shows the wiring order for the connector plug, WECO p/n 120-D-111/03.**
- 5. Housing: KILLARK Model GECCT-1**



**Figure 2.
Connector Plug.**

PWR (3) +5VDC min, +24VDC max
SIG (2) open drain output signal
COM (1) circuit common

Title Control Drawing - Cyclops ExP		Extreme Telematics Corp. 1144, 29th Ave N.E.		
Size: Letter	Number: ET-11000-1020-2001	Revision: 3	Suite 111	
Date: 5/7/2015	Time: 11:30:15 AM	Sheet 1 of 1	Calgary, Alberta T2E 7P1	
File: ET-11000-1020-2001.SchDoc			Canada	